

8BCR0010.1111A-0

1 General information

- UL/CSA listed
- Can be used in cable drag chains
- Assembled specifically for use with ACOPOS multi drive systems and B&R servo motors
- speedtec - Innovative connector system for secure connections

2 Order data


Model number	Short description	Figure
8BCR0010.1111A-0	Resolver cables	
8BCR0010.1111A-0	ACOPOS multi resolver cable, length 10 m, 3x 2x 24 AWG (19x 0.127), speedtec 12-pin female resolver connector, 9-pin male DSUB servo connector, can be used in cable drag chains, UL/CSA listed	

Table 1: 8BCR0010.1111A-0 - Order data

3 Technical data

Model number	8BCR0010.1111A-0
General information	
Cable cross section	3x 2x 24 19 AWG
Durability	Oil resistance per VDE 0472 Part 803 as well as standard hydraulic oils ¹⁾
Certification	UL AWM style 20671, 90°C, 30 V, E63216 and CSA AWM, 90°C, 30 V, I/II A/B FT1 LL46064 ¹⁾
Certifications	
CE	Yes
UL	cULus E225616 Power conversion equipment
Cable construction	
Signal lines	
Quantity	6
Wire insulation	Special thermoplastic material
Wire colors	White/Brown, green/yellow, gray/pink
Design	Tinned copper stranded wire
Cross section	24 AWG / 19 AWG
Shield	No
Stranding	White with brown, green with yellow, gray with pink
Cable stranding	The 3 pairs together covered by foil shield
Complete shielding	Copper braiding, optical coverage >90% with foil shield
Outer jacket	
Material	PUR
Color	Green, similar to RAL 6018 flat
Labeling	BERNECKER + RAINER 3x2x24 AWG FLEX UL AWM STYLE 20671 90°C 30 V E63216 CSA AWM 90°C 30 V I/II A/B FT1 LL46064 ¹⁾
Connector	
Type	12-pin female speedtec resolver connector
Connection cycles	<500
Contacts	12
Additional connectors	9-pin male DSUB servo connector Connection cycles: <200 Contacts: 9 Degree of protection per EN 60529: IP20 when connected
Degree of protection per EN 60529	IP66/67 when connected
Electrical characteristics ¹⁾	
Operating voltage	≤30 V _{eff}
Test voltage	
Wire/Wire	1.5 kV
Wire/Shield	0.8 kV
Conductor resistance	
Signal lines	≤86 Ω/km
Insulation resistance	>200 MΩ*km

Table 2: 8BCR0010.1111A-0 - Technical data

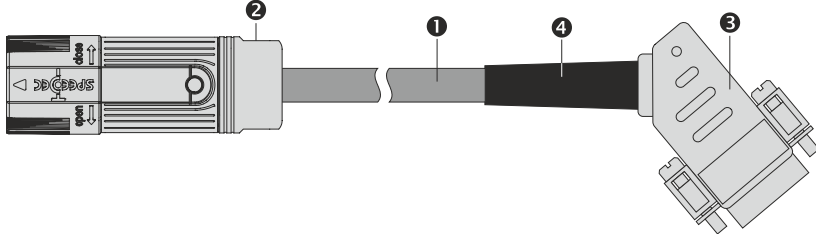
Model number	8BCR0010.1111A-0
Environmental conditions ¹⁾	
Temperature	
Moving	-20°C to +80°C
Static	-20°C to +90°C
Mechanical characteristics ¹⁾	
Dimensions	
Length	10 m
Diameter	6.5 mm ± 0.2 mm
Bend radius	
Single bend	≥20 mm
Moving	≥50 mm
Drag chain data	
Acceleration	≤6 g
Flex cycles ²⁾	≥3,000,000
Speed	≤4 m/s
Weight	0.7 kg

Table 2: 8BCR0010.1111A-0 - Technical data

- 1) Values refer to the raw cable being used.
- 2) At an ambient temperature of 20°C and bend radius of 65 mm.

4 Wiring

4.1 Construction



Pos.	Description	Note
1	Encoder line	3x 2x 24 AWG
2	12-pin female circular connector	
3	DSUB housing 45°, metal-plated, 9-pin	
4	Kink protection	

Table 3: 8BCR resolver cables - Construction

4.2 Pinout

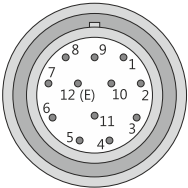
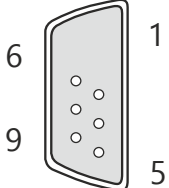
Circular connector	Pin	Description	Function	Pin	DSUB connector
	1	---			
	2	---			
	3	S4	Sine input +	3	
	4	S1	Cosine input -	4	
	5	R2	Reference output +	5	
	6	---			
	7	S2	Sine input -	7	
	8	S3	Cosine input +	8	
	9	R1	Reference output -	9	
	10	---			
	11	---			
	12	---			

Table 4: 8BCR resolver cables - Pinout

4.3 Cable diagram

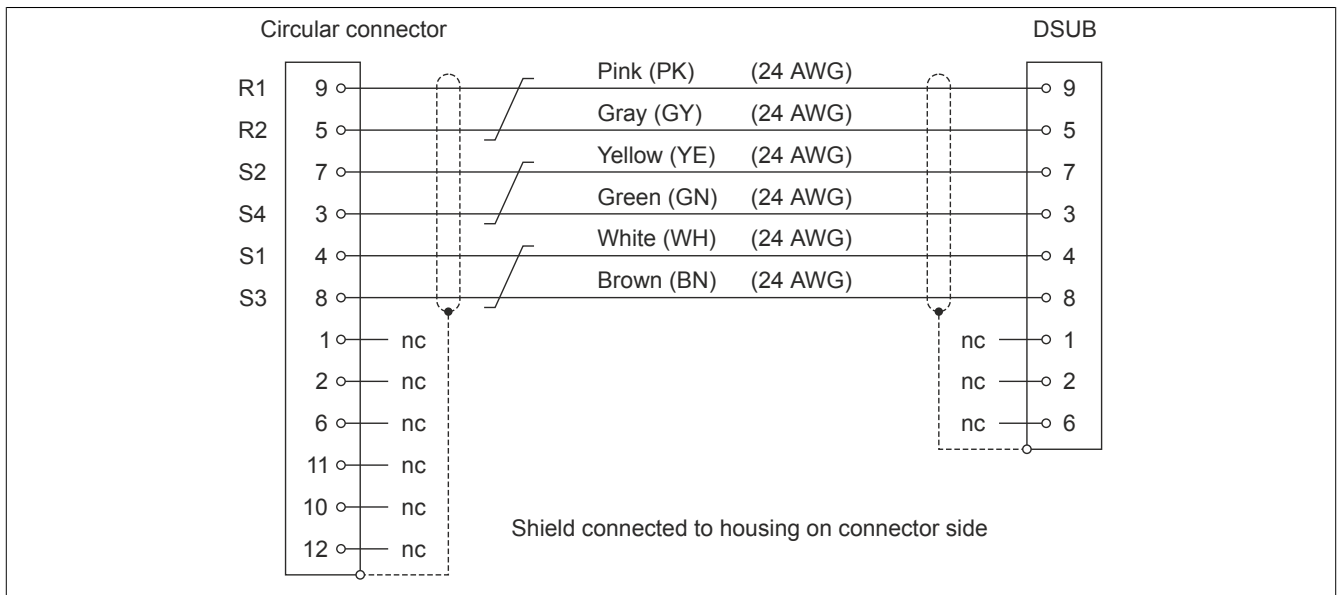


Figure 1: 8BCR resolver cables - Cable diagram