

8CE030.12-1

1 General information

- Can be used in cable drag chains
- Assembled specifically for use with ACOPOS servo drives and B&R servo motors

2 Order data


Model number	Short description	Figure
8CE030.12-1	EnDat 2.1 cable, length 30 m, 10x 0.14 mm ² + 2x 0.5 mm ² , 17-pin female Intercontec EnDat connector, 15-pin male DSUB servo connector, can be used in cable drag chains	

Table 1: 8CE030.12-1 - Order data

3 Technical data

Model number	8CE030.12-1
General information	
Cable cross section	5x 2x 0.14 mm ² + 1x 2x 0.50 mm ²
Durability	Oil resistance per VDE 0472 Part 803 as well as standard hydraulic oils ¹⁾
Certification	UL AWM Style 20963, 80°C, 30 V, E63216 and CSA AWM I/II A/B, 90°C, 30 V, FT1 LL46064 ¹⁾
Certifications	
CE	Yes
UL	cULus E225616 Power conversion equipment
Cable construction	
Supply lines	
Quantity	2
Wire insulation	Special thermoplastic material
Wire colors	White/Green, white/red
Design	Tinned copper stranded wire
Cross section	0.5 mm ²
Shield	No
Stranding	White/Red with white/green and filler elements
Signal lines	
Quantity	10
Wire insulation	Special thermoplastic material
Wire colors	Blue, brown, yellow, gray, green, pink, red, black, violet, white
Design	Tinned copper stranded wire
Cross section	0.14 mm ²
Shield	No
Stranding	Green with brown, gray with yellow, white with violet, black with red, pink with blue
Cable stranding	With terminating foil shield
Complete shielding	Copper braiding, optical coverage > 85% and foil shield
Outer jacket	
Material	PUR
Color	Green, similar to RAL 6018 flat
Labeling	BERNECKER + RAINER 5x2x0,14+2x0,50 FLEX UL AWM STYLE 20963 80°C 30 V E63216 CSA AWM I/II A/B 90°C 30 V FT1 LL46064 ¹⁾
Connector	
Type	17-pin female Intercontec EnDat connector
Connection cycles	<500
Contacts	17
Additional connectors	15-pin male DSUB servo connector Mating cycles: <200 Contacts: 15 Degree of protection per EN 60529: IP20 when connected
Degree of protection per EN 60529	IP66/67 when connected
Electrical characteristics ¹⁾	
Operating voltage	≤30 V _{eff}
Test voltage	
Wire/Wire	1 kV
Wire/Shield	0.8 kV

Table 2: 8CE030.12-1 - Technical data

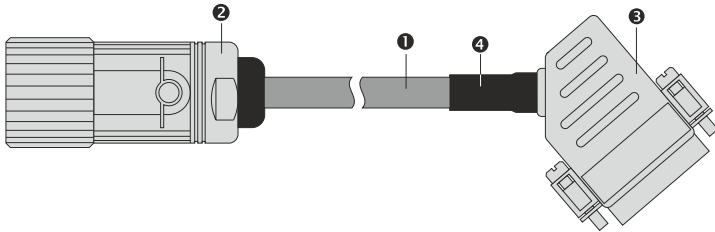
Model number	8CE030.12-1
Conductor resistance	
Supply lines	≤40 Ω/km
Signal lines	≤140 Ω/km
Insulation resistance	>200 MΩ*km
Environmental conditions ¹⁾	
Temperature	
Moving	-20°C to +80°C
Static	-20°C to +90°C
Mechanical characteristics ¹⁾	
Dimensions	
Length	30 m
Diameter	7.85 mm ± 0.2 mm
Bend radius	
Single bend	≥24 mm
Moving	≥60 mm
Drag chain data	
Acceleration	≤6 g
Flex cycles ²⁾	>3,000,000
Speed	≤4 m/s
Weight	2.4 kg

Table 2: 8CE030.12-1 - Technical data

- 1) Values refer to the raw cable being used.
- 2) At an ambient temperature of 20°C and bend radius of 65 mm.

4 Wiring

4.1 construction



Pos.	Description	Note
1	Encoder line	5x 2x 0.14 mm ² + 2x 0.5 mm ²
2	17-pin female circular connector	
3	DSUB housing 45°, metal-plated, 15-pin male connector	
4	Heat shrink tubing	

Table 3: EnDat 2.1 cables - Construction

4.2 Pinout

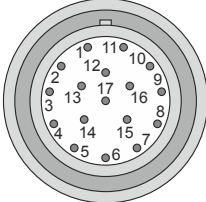
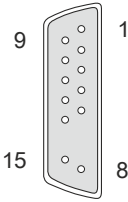
Circular connector	Pin	Description	Function	Pin	DSUB connector
	15	A	Channel A	1	
	10	COM (1, 3 - 9, 11, 13 - 15)	Encoder power supply 0 V	2	
	12	B	Channel B	3	
	7	+5 V out / 0.25 A	Encoder power supply +5 V	4	
	14	B	Data input	5	
	8	T	Clock output	8	
	16	A\	Channel A inverted	9	
	4	Sense COM	Sense input 0 V	10	
	13	B\	Channel B inverted	11	
	1	Sense +5 V	Sense input +5 V	12	
	17	D\	Data inverted	13	
	9	T\	Clock output inverted	15	

Table 4: EnDat 2.1 cables - Pinout

4.3 Cable diagram

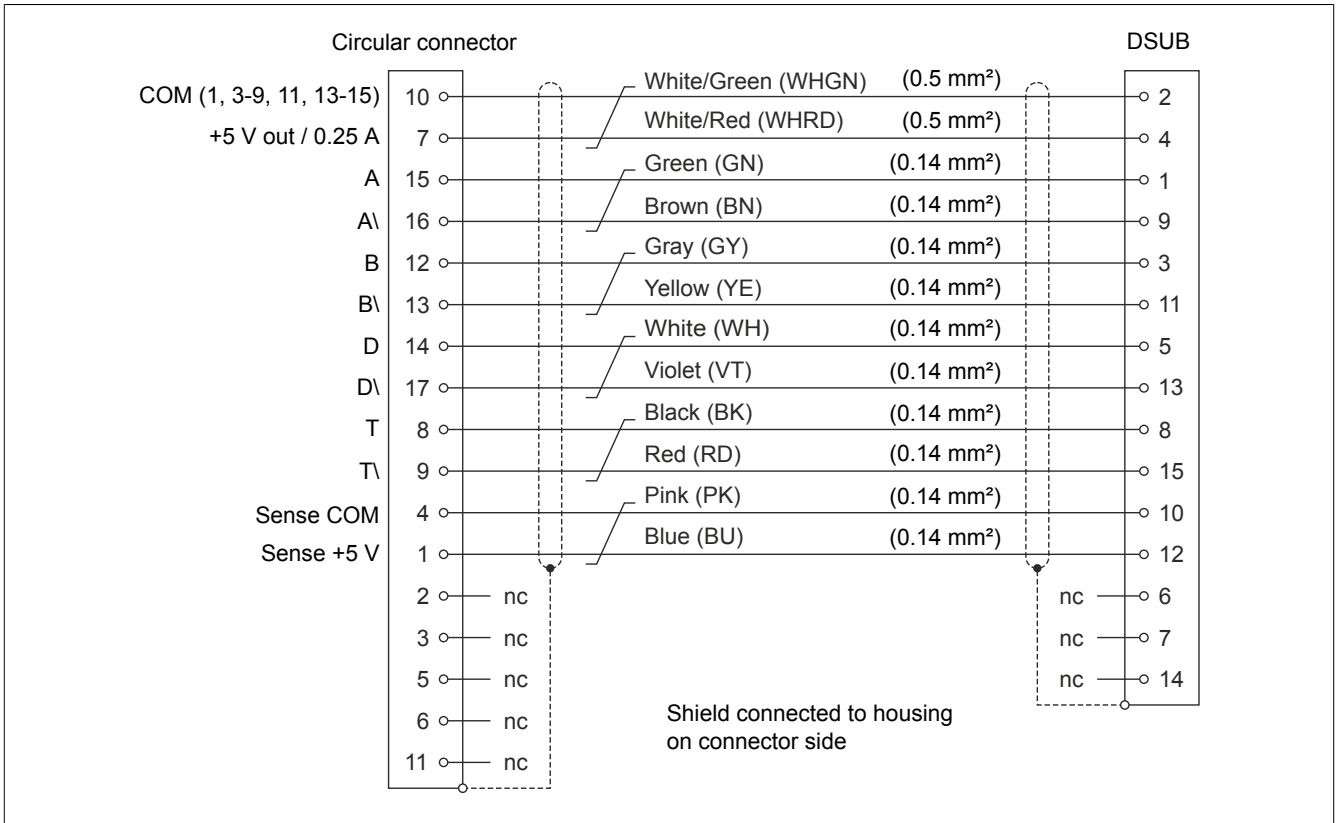


Figure 1: EnDat 2.1 cables - Cable diagram