

8CCH0022.11120-1

1 General information

- Can be used in cable drag chains
- Cable for connection of ACOPOSremote / ACOPOSmotor drive systems to ACOPOSmulti 8BVE expansion modules
- Hybrid connector system for secure connections
- Integrated shield plate

2 Order data

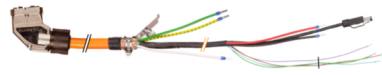
Model number	Short description	Figure
	8BVE / 8CVI connection cables	
8CCH0022.11120-1	Hybrid cable for connecting 8BVE to 8CVI or 8DI, length 22 m, 2x 2x 0.34 mm ² + 4x 0.75 mm ² + 5x 2.5 mm ² , 1x 15-pin female TYCO connector, 1x RJ45 connector, integrated shield fixing, can be used in cable drag chains	

Table 1: 8CCH0022.11120-1 - Order data

3 Technical data

Model number	8CCH0022.11120-1
General information	
Cable cross section	5x 2.5 mm ² + 2x 2x 0.75 mm ² + 2x 2x 0.34 mm ² / 1.55- 100 VZN
Durability	In preparation
Certification	E130266 cURus AWM Style 20234, 80°C, 1000 V and CSA C22.2 no. 210.2 I/II A/B, FT1 ¹⁾
Certifications	
CE	Yes
UL	cULus E225616 Power conversion equipment
Cable construction	
Power lines	
Quantity	5
Wire insulation	PE
Wire colors	Black, red, brown, white, yellow/green
Variant	Tinned copper stranded wire
Cross section	2.5 mm ²
Shield	No
Stranding	No
Signal line	
Quantity	4
Wire insulation	PE
Wire colors	Pink/Blue, violet/gray
Variant	Tinned copper stranded wire
Cross section	0.75 mm ²
Shield	No
Stranding	No
Data lines	
Quantity	4
Wire insulation	PE
Wire colors	VZN (cat. 5)
Variant	Tinned copper stranded wire
Cross section	0.34 mm ²
Shield	Yes
Stranding	Yes
Cable stranding	With filler elements and foil banding
Cable shield	Tinned copper braiding, optical coverage >85% and wrapped in isolating film
Outer jacket	
Material	PUR
Color	Orange, similar to RAL 2003 flat
Labeling	B&R 5x2.5 + 2x2x0.75 + (1x4x22AWG) * E130266 cURus AWM STYLE 20234 * AWM I/II A/B 80°C 1000 V FT1 * "internal lot number" ¹⁾

Table 2: 8CCH0022.11120-1 - Technical data

Model number	8CCH0022.11120-1
Connector	
Type	Female 15-pin TYCO connector
Mating cycles	Max. 20
Contacts	15
Degree of protection per EN 60529	IP65
Electrical properties ¹⁾	
Operating voltage	Power lines: ≤ 1000 V Signal lines: ≤ 1000 V Data lines: ≤ 100 V
Test voltage	
Wire/Wire	2.5 mm ² : 3 kV 0.75 mm ² : 2 kV 0.34 mm ² : 2 kV
Wire/Shield	2.5 mm ² : 3 kV 0.75 mm ² : 1 kV 0.34 mm ² : 1 kV
Conductor resistance	
Power lines	≤ 8 Ω /km
Signal line	≤ 26 Ω /km
Data lines	≤ 56 Ω /km
Insulation resistance	≥ 500 M Ω *km
Current-carrying capacity per DIN VDE 0298 part 4, table 11	
Wall mounting	23.7 A
Installed in conduit or cable duct	27.3 A
Installed in cable tray	29.1 A
Ambient conditions ¹⁾	
Temperature	
Moving	-40°C to +80°C
Static	-40°C to +80°C
Mechanical properties ¹⁾	
Dimensions	
Length	22 m
Diameter	14.6 mm \pm 0.4 mm
Bend radius	
Single bend	>60 mm
Moving	≥ 150 mm
Drag chain data	
Acceleration	Max. 50 m/s ² (depends on the length of the travel path)
Flex cycles	$\geq 5,000,000$
Speed	Max. 300 m/min
Weight	7.7 kg

Table 2: 8CCH0022.11120-1 - Technical data

1) Values refer to the raw cable being used.

4 Wiring

4.1 Cable construction

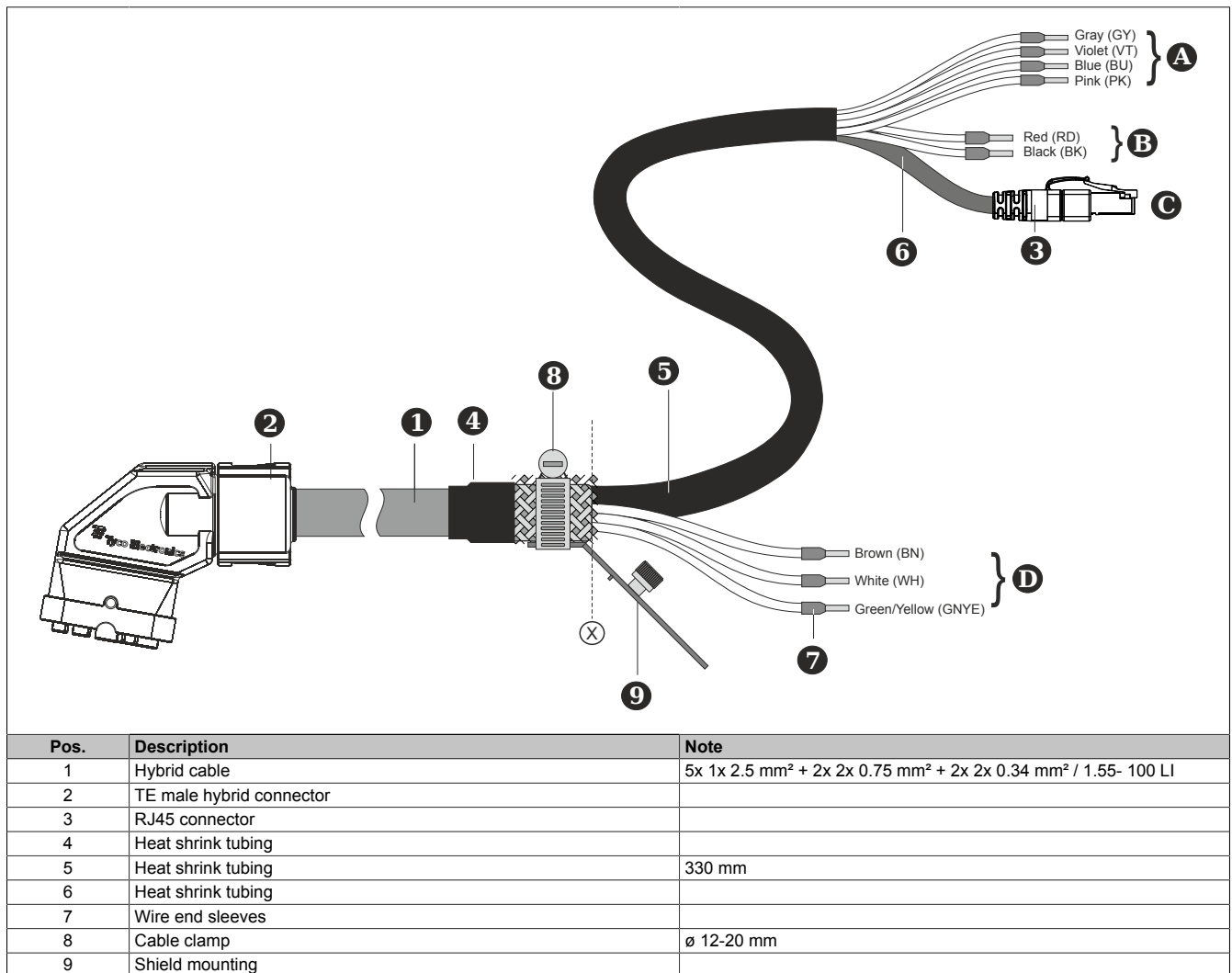


Table 3: One-sided hybrid cable - Cable construction

Custom cable lengths		
From point	To point	Length
X	A	770 mm
X	B	510 mm
X	C	710 mm
X	D	140 mm

Table 4: Custom cable length

4.2 RJ45 connector - Pinout

Male connector	Pin	Description	Function
	1	RXD	Receive signal
	2	RXD\	Receive signal inverted
	3	TXD	Transmit signal
	4	-	-
	5	-	-
	6	TXD\	Transmit signal inverted
	7	-	-
	8	-	-

Table 5: RJ45 connector - Pinout

4.3 Cable diagram

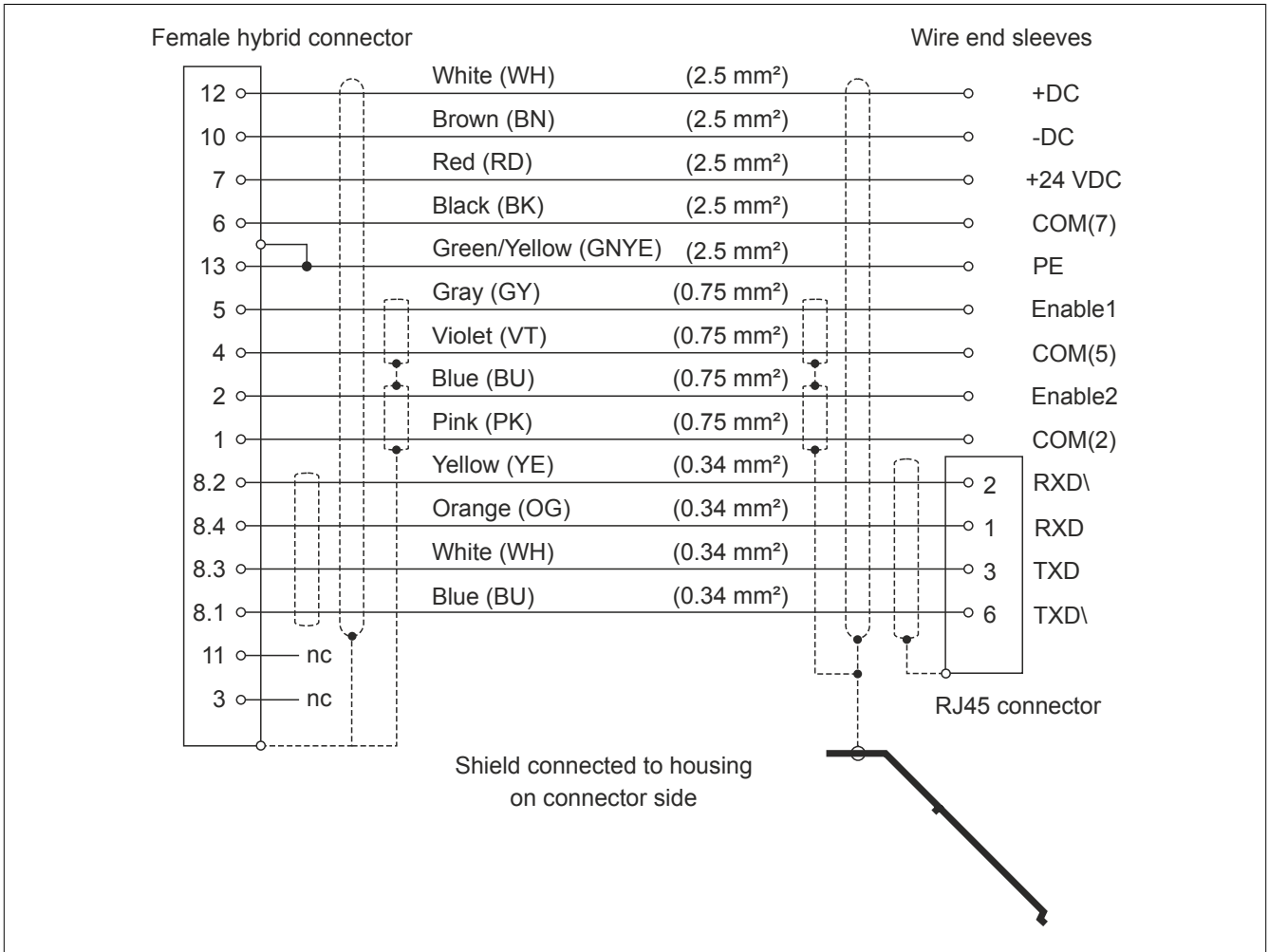


Figure 1: One-sided hybrid cable - Cable diagram