

X20BB57

1 General information

The bus module is the base for all X20 Compact-S CPUs.

The left and right end plates are included in the delivery.

- Base for all X20 Compact-S CPUs
- RS232 connection
- CAN bus connection
- Integrated terminating resistor for CAN bus

2 Order data


Model number	Short description	Figure
	System modules for Compact-S CPUs	
X20BB57	X20 Compact-S bus base, for Compact-S CPU and Compact-S CPU power supply module, base for integrated RS232 and CAN bus interface, X20 connection, X20 end cover plates (left and right) X20AC0SL1/X20AC0SR1 included	

Table 1: X20BB57 - Order data

3 Technical data

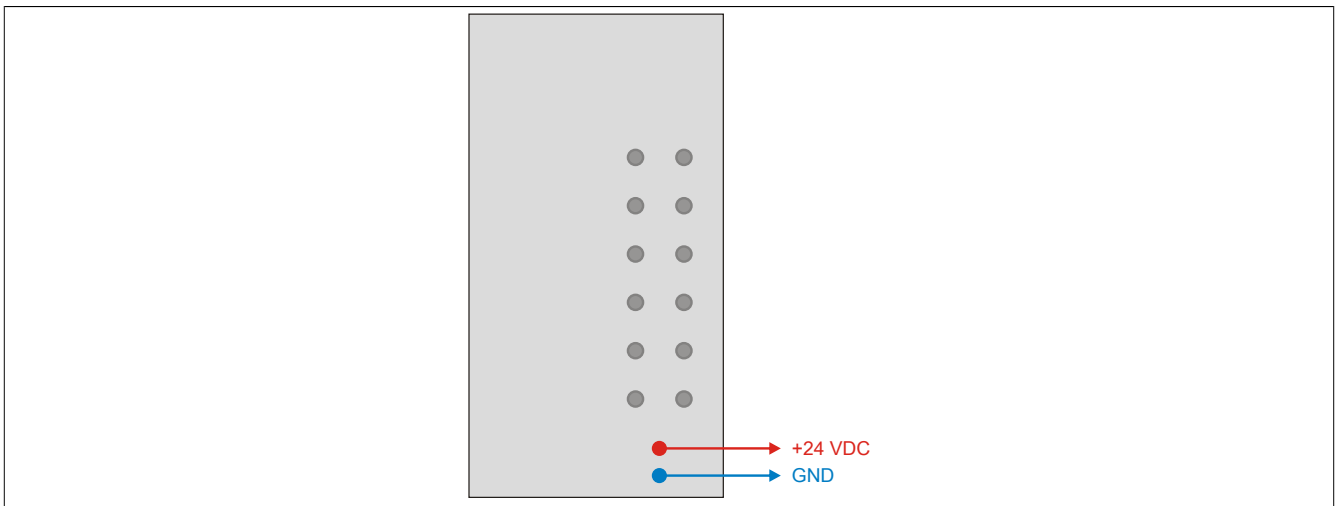
Model number	X20BB57
Short description	
Bus module	X20 Compact-S CPU base - backplane for Compact-S CPU and Compact-S CPU power supply module
Interfaces	1x RS232 connection, 1x CAN bus connection
General information	
B&R ID code	0xEB09
Power consumption	
Bus	0.55 W
Internal I/O	-
Additional power dissipation caused by actuators (resistive) [W]	-
Certifications	
CE	Yes
EAC	Yes
UL	cULus E115267 Industrial control equipment
DNV GL	Temperature: B (0 - 55°C) Humidity: B (up to 100%) Vibration: B (4 g) EMC: B (bridge and open deck)
KR	Yes
I/O power supply	
Nominal voltage	24 VDC
Permissible contact load	10 A
Electrical properties	
Electrical isolation	Bus, CAN bus and RS232 not isolated from each other

Table 2: X20BB57 - Technical data

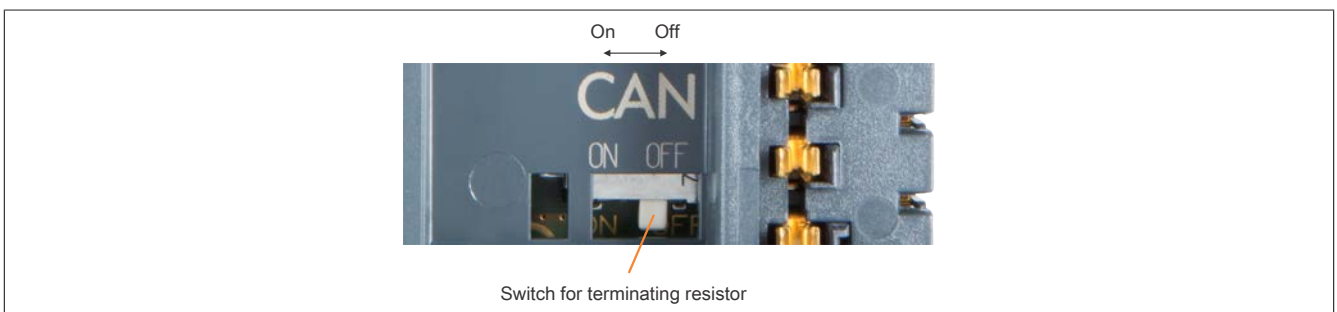
Model number	X20BB57
Operating conditions	
Mounting orientation	
Horizontal	Yes
Vertical	Yes
Installation elevation above sea level	
0 to 2000 m	No limitations
>2000 m	Reduction of ambient temperature by 0.5°C per 100 m
Degree of protection per EN 60529	IP20
Ambient conditions	
Temperature	
Operation	
Horizontal mounting orientation	-25 to 60°C
Vertical mounting orientation	-25 to 50°C
Derating	-
Storage	-40 to 85°C
Transport	-40 to 85°C
Relative humidity	
Operation	5 to 95%, non-condensing
Storage	5 to 95%, non-condensing
Transport	5 to 95%, non-condensing
Mechanical properties	
Note	Left and right X20 end cover plates included in delivery
Spacing	37.5 ^{+0.2} mm

Table 2: X20BB57 - Technical data

4 Voltage routing



5 Terminating resistor for CAN bus



The bus module has an integrated CAN bus terminating resistor. The terminating resistor is switched on or off using a switch. An enabled terminating resistor is indicated on the power supply module by LED "T".