

8CCH00X9.11230-1

1 General information

- Can be used in cable drag chains
- Assembled specifically for use with ACOPOSremote/ACOPOSmotor drive systems
- Hybrid connector system for secure connections
- Connector inserts in both hybrid connectors rotated 180° in order to allow an alternative cable outlet

2 Order data


| Model number | Short description | Figure |
|------------------|--|--|
| | Hybrid cables | |
| 8CCH00X9.11230-1 | Hybrid cable, length 0.9 m, 2x 2x 0.34 mm ² + 4x 0.75 mm ² + 5x 2.5 mm ² , 2x 15-pin female TYCO connector, connector insert rotated 180°, can be used in cable drag chains |  |

Table 1: 8CCH00X9.11230-1 - Order data

3 Technical data

| Model number | 8CCH00X9.11230-1 |
|----------------------------|--|
| General information | |
| Cable cross section | 5x 2.5 mm ² + 2x 2x 0.75 mm ² + 2x 2x 0.34 mm ² / 1.55- 100 VZN |
| Durability | In preparation |
| Short description | Connector insert in both hybrid connectors rotated 180° degrees |
| Certification | E130266 cURus AWM Style 20234, 80°C, 1000 V and CSA C22.2 No. 210.2 I/II A/B, FT1 ¹⁾ |
| Certifications | |
| CE | Yes |
| UL | cULus E225616 Power conversion equipment |
| Cable construction | |
| Power lines | |
| Quantity | 5 |
| Wire insulation | PE |
| Wire colors | Black, red, brown, white, yellow/green |
| Variant | Tinned copper stranded wire |
| Cross section | 2.5 mm ² |
| Shield | No |
| Stranding | No |
| Signal line | |
| Quantity | 4 |
| Wire insulation | PE |
| Wire colors | Pink/Blue, violet/gray |
| Variant | Tinned copper stranded wire |
| Cross section | 0.75 mm ² |
| Shield | No |
| Stranding | No |

Table 2: 8CCH00X9.11230-1 - Technical data

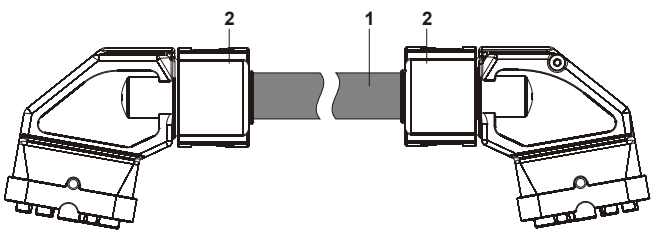
| Model number | 8CCH00X9.11230-1 |
|---|--|
| Data lines | |
| Quantity | 4 |
| Wire insulation | PE |
| Wire colors | VZN (cat. 5) |
| Variant | Tinned copper stranded wire |
| Cross section | 0.34 mm ² |
| Shield | Yes |
| Stranding | Yes |
| Cable stranding | With filler elements and foil shield |
| Cable shield | Tinned copper braiding, optical coverage >85% and foil shield |
| Outer jacket | |
| Material | PUR |
| Color | Orange, similar to RAL 2003 flat |
| Labeling | B&R 5x2.5 + 2x2x0.75 + (1x4x22AWG) * E130266 cURus AWM STYLE 20234 * AWM I/II A/B 80°C 1000 V FT1 * "internal lot number" ¹⁾ |
| Connector | |
| Type | 15-pin female TYCO connector |
| Mating cycles | Max. 20 |
| Contacts | 15 |
| Degree of protection per EN 60529 | IP65 |
| Electrical properties ¹⁾ | |
| Operating voltage | Power lines: ≤1000 V Signal lines: ≤1000 V Data lines: ≤100 V |
| Test voltage | |
| Wire - Wire | 2.5 mm ² : 3 kV 0.75 mm ² : 2 kV 0.34 mm ² : 2 kV |
| Wire - Shield | 2.5 mm ² : 3 kV 0.75 mm ² : 1 kV 0.34 mm ² : 1 kV |
| Conductor resistance | |
| Power lines | ≤8 Ω/km |
| Signal line | ≤26 Ω/km |
| Data lines | ≤56 Ω/km |
| Insulation resistance | ≥500 MΩ*km |
| Current-carrying capacity per DIN VDE 0298 part 4, table 11 | |
| Wall mounting | 23.7 A |
| Installed in conduit or cable duct | 27.3 A |
| Installed in cable tray | 29.1 A |
| Ambient conditions ¹⁾ | |
| Temperature | |
| Moving | -40°C to 80°C |
| Static | -40°C to 80°C |
| Mechanical properties ¹⁾ | |
| Dimensions | |
| Length | 0.9 m |
| Diameter | 14.6 mm ±0.4 mm |
| Bend radius | |
| Single bend | >60 mm |
| Moving | ≥150 mm |
| Drag chain data | |
| Acceleration | Max. 50 m/s ² (depends on the length of the travel path) |
| Flex cycles | ≥5,000,000 |
| Velocity | Max. 300 m/min |
| Weight | 0.32 kg |

Table 2: 8CCH00X9.11230-1 - Technical data

1) Values refer to the raw cable being used.

4 Wiring

4.1 Cable construction



| Pos. | Description | Note |
|------|------------------------------|--|
| 1 | Hybrid cable | 5x 1x 2.5 mm ² + 4x 1x 0.75 mm ² + 2x 2x 0.34 mm ² / 1.55- 100 LI |
| 2 | 15-pin female TYCO connector | Connector inserts rotated 180° Dimensions: 82.6 x 67.6 x 36.2 mm |

Table 3: Hybrid cables - Cable construction

4.2 Cable diagram

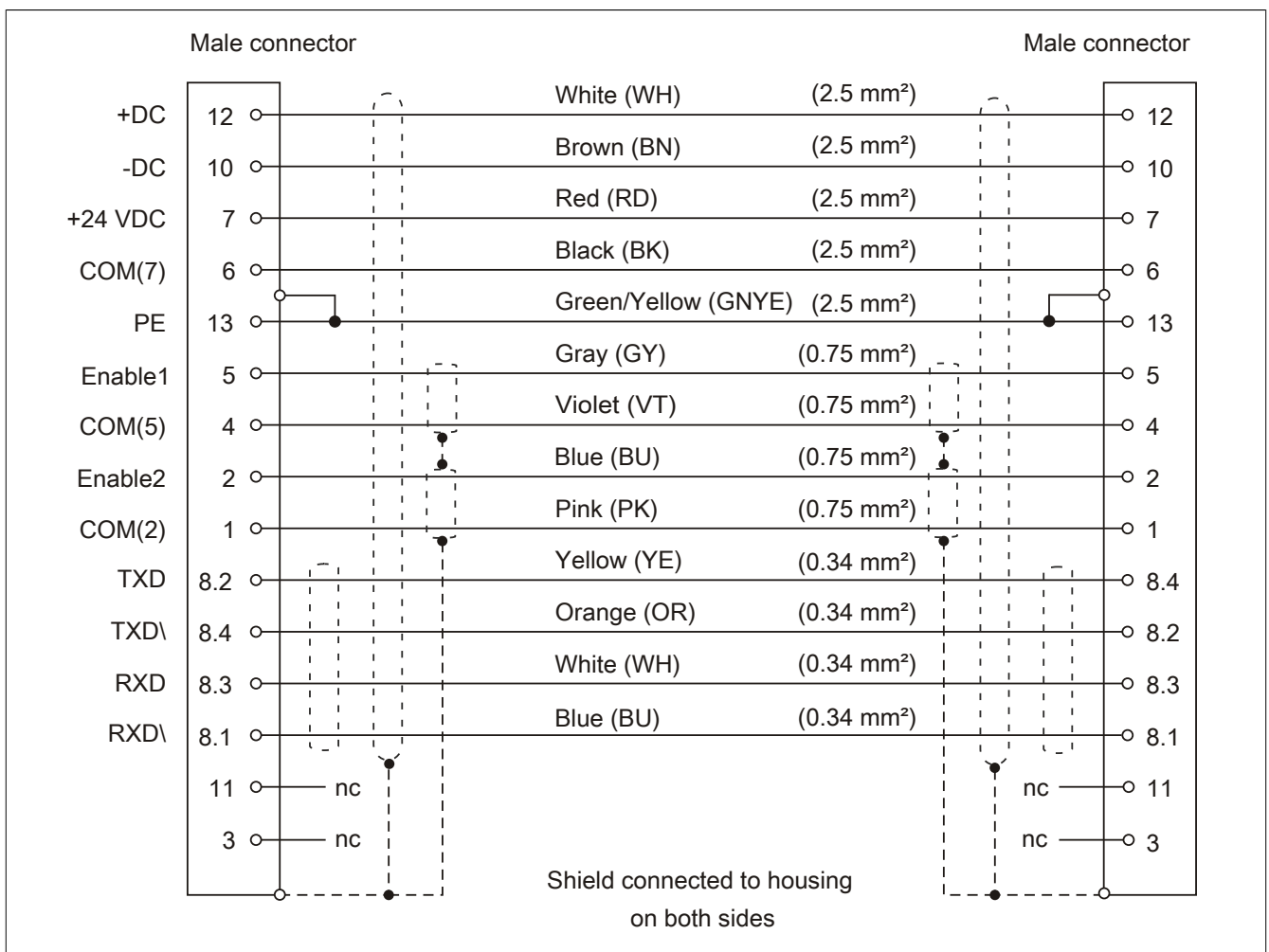


Figure 1: Hybrid cables - Cable diagram