

8BCM0007.1011A-0

1 General information

- Can be used in cable drag chains
- Assembled specifically for use with ACOPOSmulti drive systems and B&R servo motors with motor connector size 1
- speedtec - Innovative connector system for secure connections
- Integrated shield plate

Information:

A shield plate is attached to ACOPOSmulti 8BCM motor cables. If this shield plate is correctly installed on the respective ACOPOSmulti 8BVI inverter module, no additional shielding measures are necessary.

2 Order data


Model number	Short description	Figure
8BCM0007.1011A-0	0.75 mm² motor cables ACOPOSmulti motor cable, length 7 m, 4x 0.75 mm ² + 2x 2x 0.34 mm ² , 8-pin female speedtec motor connector size 1, integrated shield plate, can be used in cable drag chains	

Table 1: 8BCM0007.1011A-0 - Order data

3 Technical data

Model number	8BCM0007.1011A-0
General information	
Cable cross section	4x 0.75 mm ² + 2x 2x 0.34 mm ²
Durability	Oil resistance per HD 22.10 appendix A, DIN EN 60811-404 ¹⁾
Certification	E170315 cRUus AWM STYLE 21223 AWM I/II A/B 80°C 1000 V FT1 ¹⁾
Certifications	
CE	Yes
UL	cULus E225616 Power conversion equipment
EAC	Yes
Cable construction	
Power lines	
Quantity	4
Wire insulation	PP
Wire colors	Black, brown, blue, yellow/green
Variant	Tinned copper stranded wire
Cross section	0.75 mm ²
Shield	No
Stranding	No
Signal line	
Quantity	4
Wire insulation	PP
Wire colors	White, white/red, white/blue, white/green
Variant	Tinned copper stranded wire
Cross section	0.34 mm ²
Shield	Separate shielding for pairs, tinned copper braiding, optical coverage >85% and foil shield
Stranding	White with white/red and white/blue with white/green
Cable stranding	With filler elements and foil shield
Cable shield	Tinned copper braiding, optical coverage >85% and foil shield
Outer jacket	
Material	PUR
Color	Orange, similar to RAL 2003 flat
Labeling	B&R 4 G 0.75 + 2 x (2x0.34)C C E170315 cRUus AWM STYLE 21223 AWM I/II A/B 80°C 1000 V FT1 production order number ¹⁾
Connector	
Type	8-pin female speedtec motor connector, size 1

Table 2: 8BCM0007.1011A-0 - Technical data

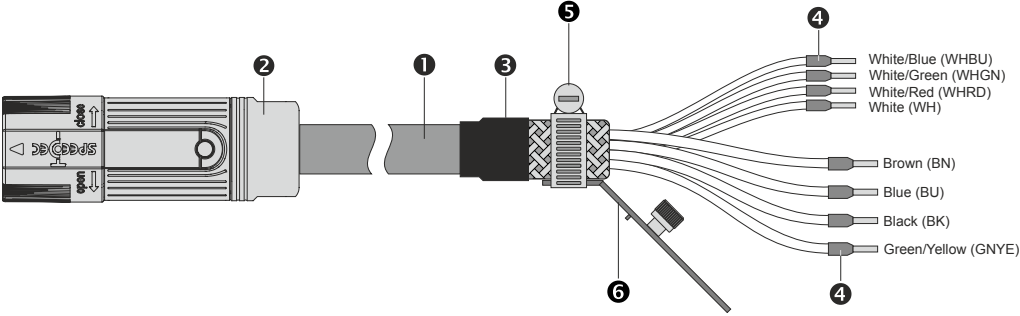
Model number	8BCM0007.1011A-0
Mating cycles	<500
Contacts	8 (4 power and 4 signal contacts)
Degree of protection per EN 60529	IP66/67 when connected
Electrical properties ¹⁾	
Operating voltage	Max. 1000 V AC (UL)
Test voltage	
Wire - Wire	4 kV
Wire - Shield	4 kV
Conductor resistance	
Power lines	≤26.7 Ω/km
Signal line	≤56 Ω/km
Insulation resistance	≥500 MΩ*km
Current-carrying capacity per DIN VDE 0298 part 4, table 11	
Wall mounting	13 A
Installed in conduit or cable duct	11.5 A
Installed in cable tray	13.5 A
Ambient conditions ¹⁾	
Temperature	
Moving	-20°C to +80°C
Static	-20°C to +90°C
Mechanical properties ¹⁾	
Dimensions	
Length	7 m
Diameter	10.1 mm ± 0.3 mm
Bend radius	
Single bend	>32 mm
Moving	>78 mm
Drag chain data	
Acceleration	Max. 50 m/s ² (depends on the length of the travel path)
Flex cycles ²⁾	≥5,000,000
Velocity	Max. 300 m/min
Weight	0.62 kg

Table 2: 8BCM0007.1011A-0 - Technical data

- 1) Values refer to the raw cable being used.
2) At an ambient temperature from -20°C to +60°C.

4 Wiring

Construction



Pos.	Description	Note
1	Motor line	4x 0.75 mm ² + 2x 2x 0.34 mm ² (8BCMxxxx.x011A-0)
2	8-pin female circular connector	Dimensions: ø 28 x 78 mm
3	Heat shrink tubing	
4	Wire end sleeves	
5	Cable clamp	
6	Shield mounting	

Table 3: 8BCMxxxx.x011A-0 motor cables - Construction

Pinout

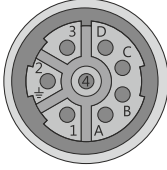
Circular connector	Pin	Description	Function
	1	U	Motor connection U
	2	PE	Protective ground conductor
	3	W	Motor connection W
	4	V	Motor connection V
	A	T+	Temperature +
	B	T-	Temperature -
	C	B+	Brake +
	D	B-	Brake -

Table 4: 8BCMxxxx.x011A-0 motor cables - Pinout

Cable diagram

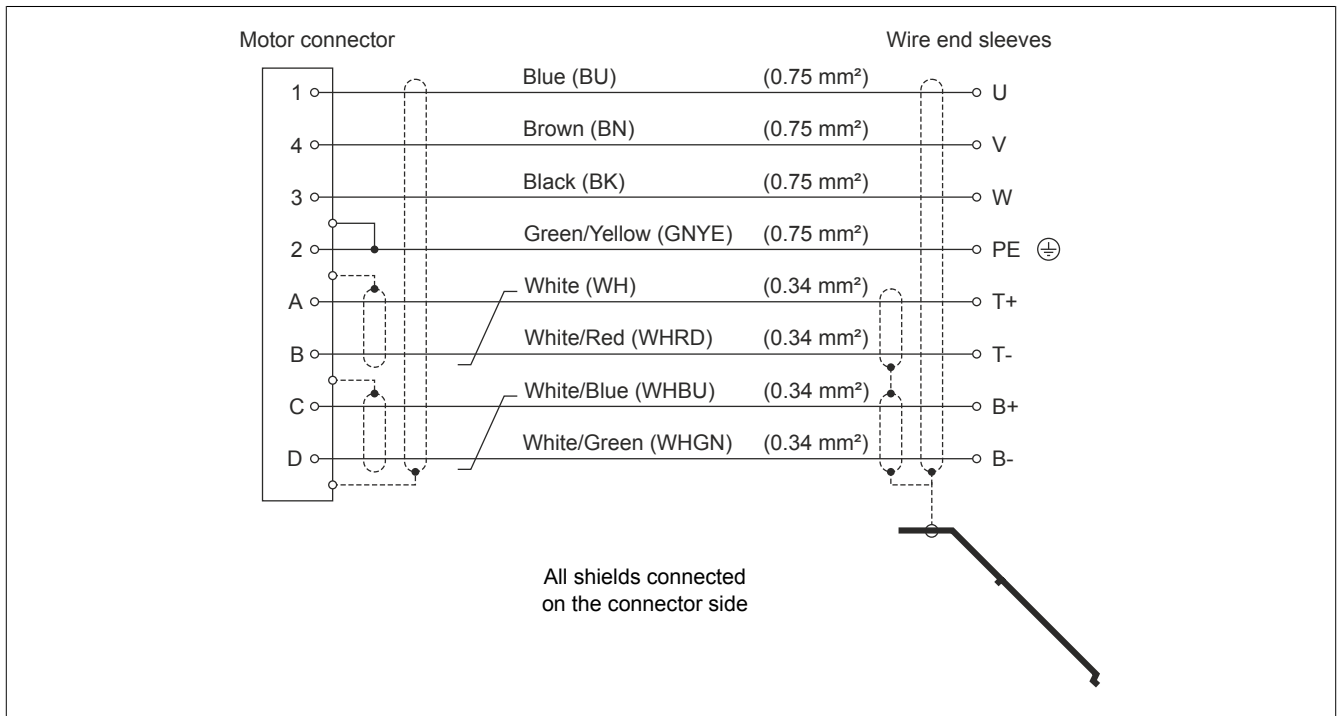


Figure 1: 8BCMxxxx.x011A-0 motor cables - Cable diagram