

X20BB67

1 General information

The bus module is the base for all X20CP048x Compact-S CPUs in the X20 family. It is equipped with 1 slot for X20 interface modules.

The left and right end plates are included in the delivery.

- Base for X20 Compact-S CPUs
- 1 slot for X20 interface modules
- RS232 connection
- CAN bus connection
- Integrated terminating resistor for CAN bus

Information:

The Compact-S CPU must be connected in the rightmost slot.

2 Order data


Model number	Short description	Figure
X20BB67	System modules for Compact-S CPUs X20 Compact-S bus base, for Compact-S CPU and Compact-S CPU power supply module, base for integrated RS232 and CAN bus interface, slot for X20 interface module, X20 connection, X20 end cover plates (left and right) X20AC0SL1/X20AC0SR1 included	

Table 1: X20BB67 - Order data

3 Technical data

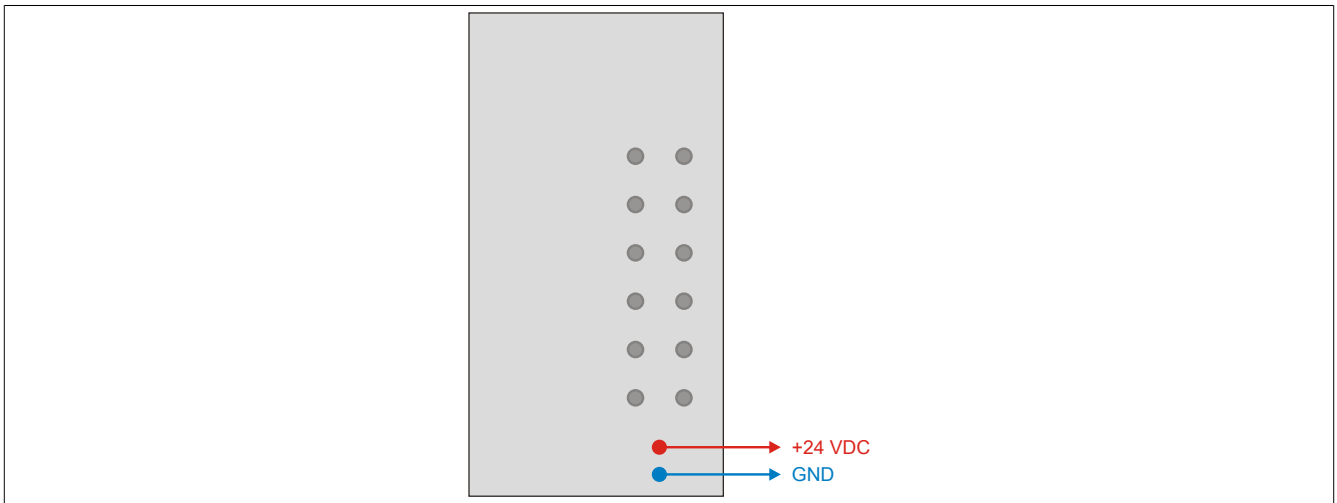
Model number	X20BB67
Short description	
Bus module	X20 Compact-S CPU base - backplane for Compact-S CPU and Compact-S CPU power supply module and X20 interface module
Interfaces	1x RS232 connection, 1x CAN bus connection
General information	
B&R ID code	0xEB07
Power consumption	
Bus	0.94 W
Internal I/O	-
Additional power dissipation caused by actuators (resistive) [W]	-
Certifications	
CE	Yes
EAC	Yes
UL	cULus E115267 Industrial control equipment
I/O power supply	
Nominal voltage	24 VDC
Permissible contact load	10 A

Table 2: X20BB67 - Technical data

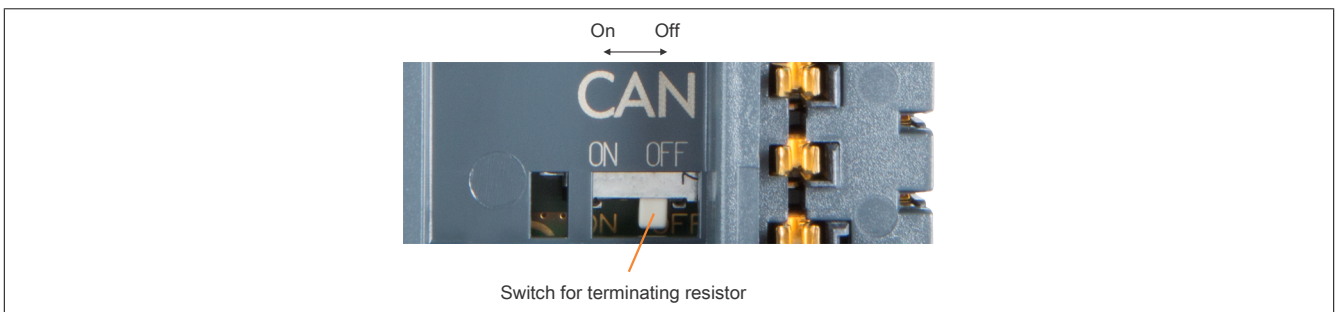
Model number	X20BB67
Electrical properties	
Electrical isolation	Bus, CAN bus and RS232 not isolated from each other
Operating conditions	
Mounting orientation	
Horizontal	Yes
Vertical	Yes
Installation elevation above sea level	
0 to 2000 m	No limitation
>2000 m	Reduction of ambient temperature by 0.5°C per 100 m
Degree of protection per EN 60529	IP20
Ambient conditions	
Temperature	
Operation	
Horizontal mounting orientation	-25 to 60°C
Vertical mounting orientation	-25 to 50°C
Derating	-
Storage	-40 to 85°C
Transport	-40 to 85°C
Relative humidity	
Operation	5 to 95%, non-condensing
Storage	5 to 95%, non-condensing
Transport	5 to 95%, non-condensing
Mechanical properties	
Note	Left and right X20 end cover plates included in delivery
Spacing	62.5 ^{+0.2} mm

Table 2: X20BB67 - Technical data

4 Voltage routing



5 Terminating resistor for CAN bus



The bus module has an integrated CAN bus terminating resistor. The terminating resistor is switched on or off using a switch. An enabled terminating resistor is indicated on the power supply module by LED "T".