

# 5ACCMS01.MDT2-000

## 1 General

5ACCMS01.MDT2-000 is an adapter card for M.2 mass storage devices. B&R offers two corresponding configurable M.2 memory modules (5ACCMSM2.xxxx-000).

- Compatible with APC3100/PPC3100
- Easy installation in slot *IF option 3*.
- 5ACCMSM2.xxxx-000 memory sizes: 512 GB or 1 TB

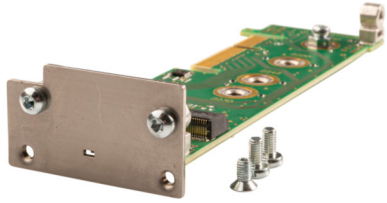
### Notice!

B&R cannot guarantee the function of third-party memory modules. The functionality of memory modules available from B&R is ensured.

### Information:

B&R makes every effort to keep this technical description as current as possible. The latest version of this technical description is available in PDF format on the B&R website ([www.br-automation.com](http://www.br-automation.com)). For specifications that are not listed here, see the user's manual for the complete device being used.

## 2 Order data

Model number	Short description	Figure
	<b>Interface options</b>	
5ACCMS01.MDT2-000	Adapter card for M.2 mass storage devices - Compatible with APC3100/PPC3100	
	<b>Optional accessories</b>	
	<b>Mass storage options</b>	
5ACCMSM2.0512-000	512 GB M.2 SSD MLC - Innodisk - SATA	
5ACCMSM2.1024-000	1 TB M.2 SSD MLC - Innodisk - SATA	

### 3 Technical data

#### Information:

The following specified characteristic data, features and limit values are only valid for these individual components and may differ from those of the complete system. The data specified for the complete system applies to the complete system in which this individual component is used, for example.

<b>Model number</b>	<b>5ACCMS01.MDT2-000</b>
<b>General information</b>	
LEDs	Yes, 1x activity indicator
B&R ID code	0xFCCC
Certifications	
CE	Yes
UL	cULus E115267 Industrial control equipment
<b>Interfaces</b>	
Add-on interface slot	
Quantity	1x M.2 SSD
<b>Electrical properties</b>	
Power consumption	Depends on the memory module used
<b>Operating conditions</b>	
Pollution degree per EN 61131-2	Pollution degree 2
<b>Ambient conditions <sup>1)</sup></b>	
Temperature	
Operation	0 to 55°C
Storage	-20 to 60°C
Transport	-20 to 60°C
Relative humidity	
Operation	5 to 90%, non-condensing
Storage	5 to 95%, non-condensing
Transport	5 to 95%, non-condensing
<b>Mechanical properties</b>	
Weight	Approx. 35 g <sup>2)</sup>

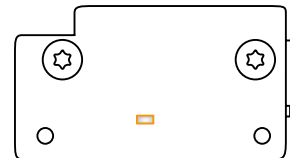
1) These values can be limited by the memory module used.

2) Without memory module.

#### 3.1 Status LED

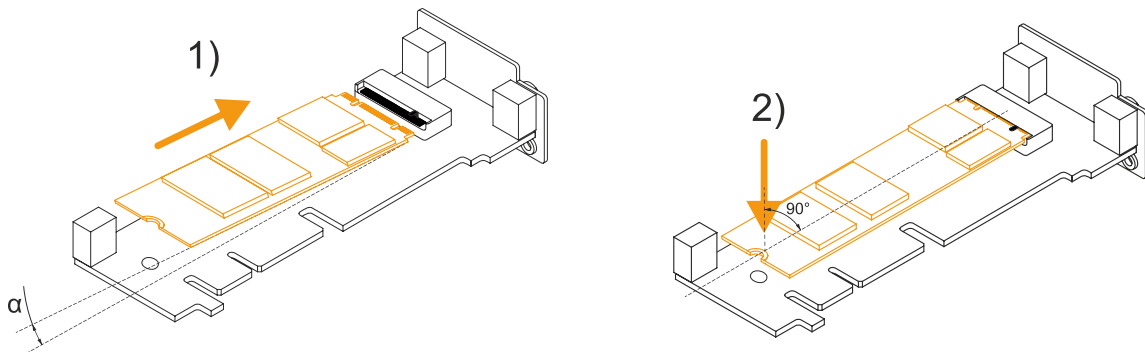
Adapter card 5ACCMS01.MDT2-000 has a yellow LED status indicator on the front panel that serves as an activity indicator.

- On: Mass storage device being accessed (write or read procedure)
- Off: Mass storage device not being accessed

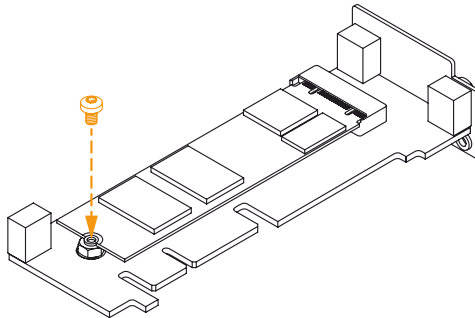


## 4 Installing memory modules

1. Insert the memory module into the connection strip block at angle  $\alpha$  of 5 to 20° (1) and then carefully press it into a horizontal position (2).



2. Secure the memory module with an M2.5 Torx screw size T8 (max. tightening torque 0.45 Nm).



- ✓ The memory module is installed, and the adapter card can be installed in the APC3100/PPC3100.

Installation in an APC3100/PPC3100 must be carried out according to the description in section *Installing the interface option and DDR4 SDRAM* of the user's manual. Installation takes place in slot *IF option 3*.

The APC3100 user's manual is available for download under [Automation PC 3100 user's manual](#).

The PPC3100 user's manual available for download under [Panel PC 3100 user's manual](#).