

8BCM0015.3034C-0

1 General information

- Extremely flexible
- itec - Innovative connector system for fast and secure connections

2 Order data


Model number	Short description	Figure
8BCM0015.3034C-0	Motor cable, length 15 m, 4x 0.75 mm ² + 2x 2x 0.34 mm ² , 8-pin female series 915 power connector	

Table 1: 8BCM0015.3034C-0 - Order data

3 Technical data

Model number	8BCM0015.3034C-0
General information	
Cable cross section	4x 0.75 mm ² + 2x 2x 0.34 mm ²
Durability	Oil resistance TM5 per VDE 0281 Part 1 / HD21.1 Flame resistance per IEC 60332-1-2 / UL 2556 (VW-1) / CSA C22.2 No. 210.2 (FT-1) ¹⁾
Certification	UL Style 2570 80°C 1000 V VW-1 E130266 and cUL AWM I/II A/B 80°C 1000 V FT-1 ¹⁾
Certifications	
CE	Yes
UL	cULus E225616 Power conversion equipment
EAC	Yes
Cable construction	
Power lines	
Quantity	4
Wire insulation	PP
Wire colors	Black, brown, blue, yellow/green
Variant	Tinned copper stranded wire
Cross section	0.75 mm ²
Shield	No
Stranding	No
Signal line	
Quantity	4
Wire insulation	PP
Wire colors	White, white/red, white/blue, white/green
Variant	Tinned copper stranded wire
Cross section	0.34 mm ²
Shield	Individually shielded in pairs, tinned copper braiding, optical coverage >85% and foil shield
Stranding	White with white/red and white/blue with white/green
Cable stranding	With filler elements and foil shield
Cable shield	Tinned copper braiding, optical coverage >85% and foil shield
Outer jacket	
Material	PVC
Color	Orange, similar to RAL 2003 flat
Labeling	B&R 4x0.75+2x2x0.34 XX/YYYY E130266 cURus AWM STYLE 2570 I/II A/B 80°C 1000 V FT-1 ¹⁾²⁾
Connector	
Type	8-pin female series 915 power connector
Mating cycles	<500
Contacts	8 (4 power and 4 signal contacts)
Degree of protection per EN 60529	IP66/67 when connected
Electrical properties ¹⁾	
Test voltage	
Wire - Wire	4 kV
Wire - Shield	3 kV
Conductor resistance	
Power lines	≤58.3 Ω/km
Signal line	≤26.7 Ω/km

Table 2: 8BCM0015.3034C-0 - Technical data

Model number	8BCM0015.3034C-0
Insulation resistance	≥100 MΩ*km
Current-carrying capacity per DIN VDE 0298 part 4, table 11	
Wall mounting	9.8 A
Installed in conduit or cable duct	8.5 A
Installed in cable tray	10.4 A
Ambient conditions ¹⁾	
Temperature	
Moving	-20°C to +80°C
Static	-20°C to +90°C
Mechanical properties ¹⁾	
Dimensions	
Length	15 m
Diameter	10.6 mm ±0.4 mm
Bend radius	
Single bend	>55 mm
Moving	≥165 mm
Weight	3 kg

Table 2: 8BCM0015.3034C-0 - Technical data

- 1) Values refer to the raw cable being used.
- 2) XX ... Week of manufacture, YYYY ... Year of manufacture

4 Wiring

Construction

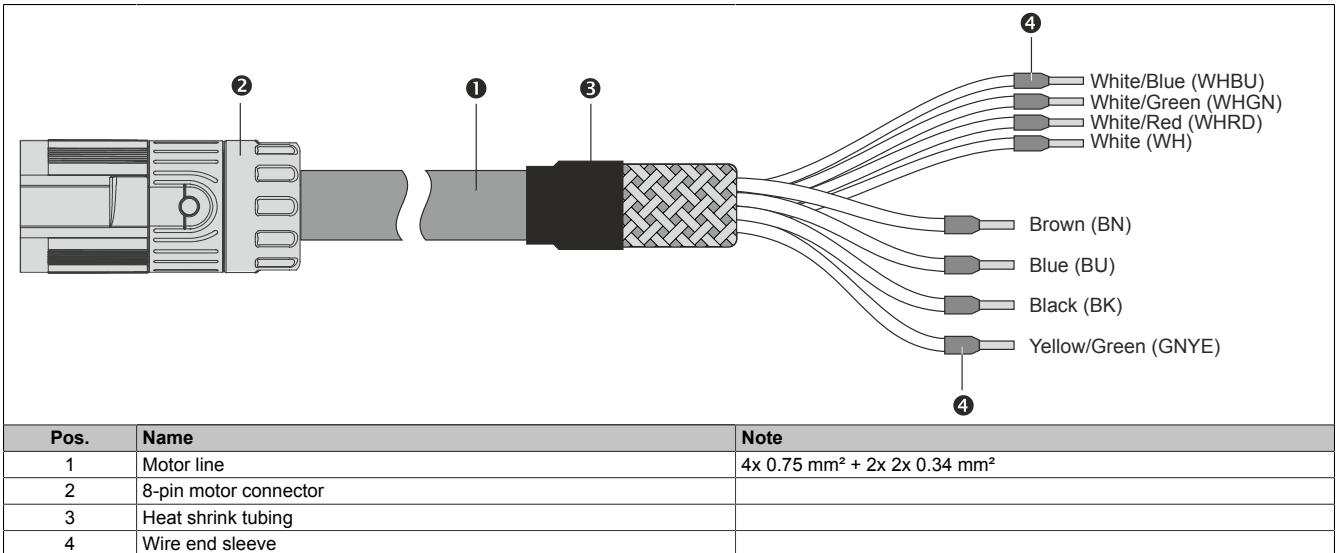


Table 3: 8BCMxxxx.x034C-0 motor cables - Construction

Pinout

Circular connector	Pin	Name	Function
	A	U	Motor connection U
	B	V	Motor connection V
	C	W	Motor connection W
	PE	PE	Protective ground conductor
	1	T+	Temperature +
	2	T-	Temperature -
	3	B+	Brake +
	4	B-	Brake -
5	---	---	

Table 4: 8BCMxxxx.x034C-0 motor cables - Pinout

Cable diagram

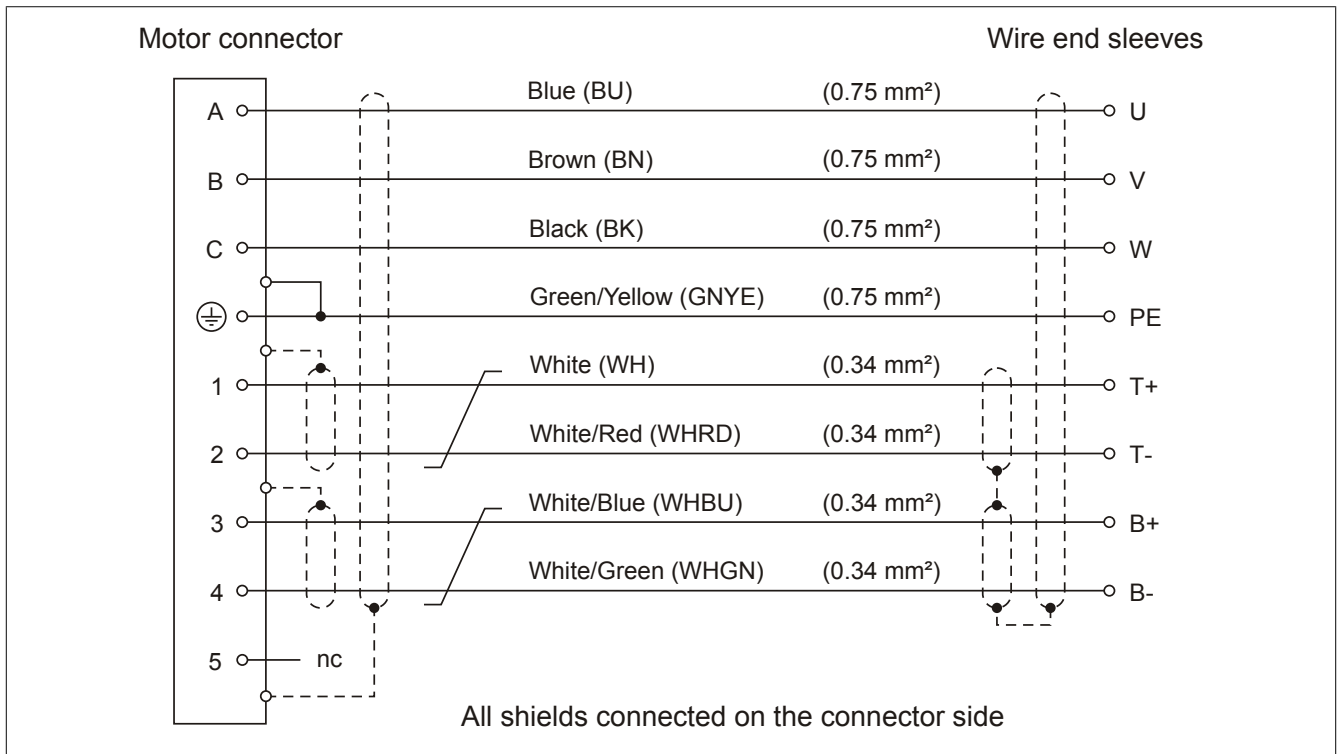


Figure 1: 8BCMxxxx.x034C-0 motor cables - Cable diagram